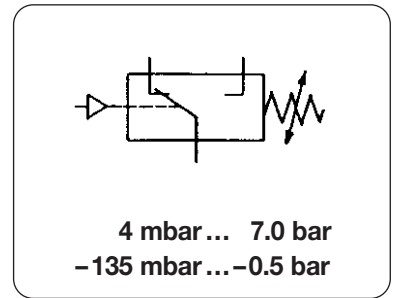


Description	Pressure and vacuum switch with electrical outlet signal. The microswitch satisfies UL and CSA regulations. Polysulfone of the body made by Amoco and approved by National Sanitation Foundation. Satisfies FDA regulations and is suitable for water and food products.		
Microswitch	Single pole, double throw, with cover		
Current rating	15 A and 250V AC or 1.2 A and 125V DC 4 A and 250V AC or 125V AC	0.1 A and 125V AC, gold contact 3 A and 250V AC	
Terminals	4.75 mm / .187 quick connect 1.25 mm / .060 solder leads	at F4000 an AT1004 at F4400	
Repeatability	± 2% FS or 10 mbar / 0.15 psi, whichever is greater after 10 000 cycles		
Temperature range	4 °C to 66 °C / 40 °F to 150 °F		Switch time: 25 ms
Materials	Body: polysulfone Diaphragm: polyurethane	Spring: stainless steel Other: nylon, acetal	



Description	Contact rating max. A	Over-pressure max. bar	Adjustment range off mbar / bar	Adjustment range on mbar / bar	Order number
-------------	-----------------------	------------------------	---------------------------------	--------------------------------	--------------

Pressure switch with low hysteresis 1/8" NPT **F4300**

			mbar	mbar	
pressure switch	15 A	1	4 ± 1*1	6 ± 1*1	F4000 - 10B80
	15 A	1	4 ... 12	6 ... 40	F4000 - 20B80
	15 A	1	4 ... 37	8 ... 150	F4000 - 30B80
vacuum switch	15 A	-1	- 70 ... -380	-135 ... -500	F4000 - X B80



Pressure switch for PCB with nipple Ø2 **F4400**

	Contact rating	Over-pressure	hysteresis		adjustment range	Order number
			typ mbar	max. mbar		
pressure switch	3 A	2	7	14	0.03 ... 0.14	F4400 - 2B80
	4 A	2	14	24	0.04 ... 0.35	F4400 - 5B80
	4 A	3	30	40	0.04 ... 1.0	F4400 - 15B80
	4 A	4	40	70	0.04 ... 2.1	F4400 - 30B80
	4 A	8	100	170	0.04 ... 4.2	F4400 - 60B80
	4 A	8	140	240	0.07 ... 7.0	F4400 - 100B80
vacuum switch	4 A	-1	10	20	-0.007 ... -0.17	F4400 - X 5B80
	4 A	-1	20	34	-0.017 ... -0.34	F4400 - X10B80
	4 A	-1	30	50	-0.050 ... -1.00	F4400 - X30B80

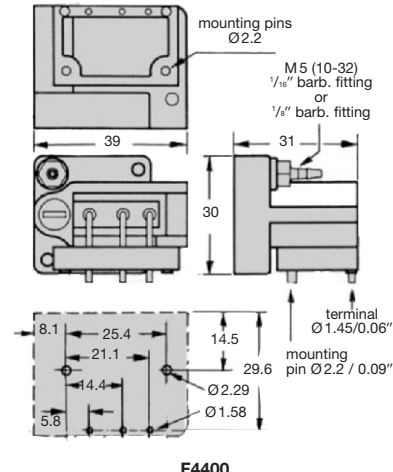
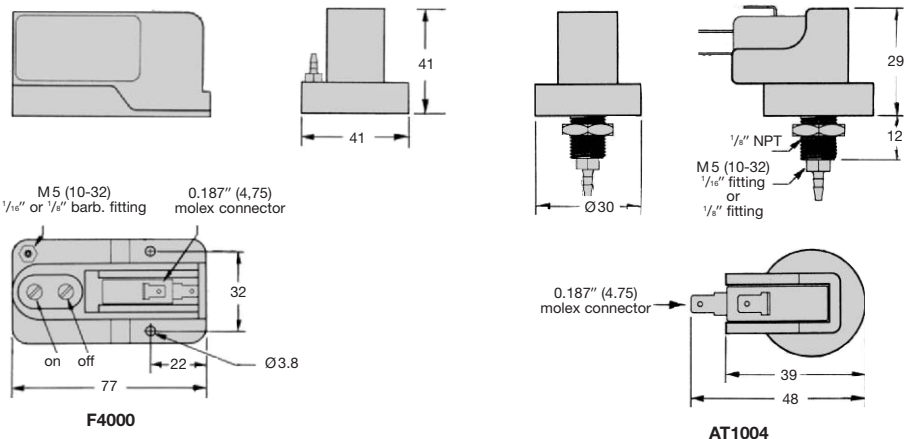
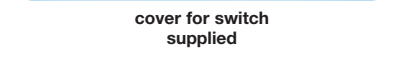


Factory-set **AT1004**

low pressure switch indicate switchpoint on order (1mbar = 0.4" H₂O)
pre-set between 4 ... 43 mbar **AT1004 - ... B80**

Special options add the appropriate letter

barbed fitting	nylon Ø 1/8", Ø 4 PSU Ø 1/8", Ø 4 PSU Ø 1/16", Ø 2	B85 P85 P80	F4000 - ... B85 F4000 - ... P85 F4000 - ... P80
gold contact	0.1 A at 120V AC	1B	F4000 - ... 1B
factory-set	± 5% accuracy, indicate switchpoint on order	...X	F4000 - ... X



*1 not adjustable

For your information:	1 bar: 14.5 psi 1 psi: 0.069 bar	1 l/min: 0.035 scfm 1 scfm: 28.3 l/min	1 mm: 0.039 inch 1 inch: 25.4 mm	1 mbar: 0.4 inch H ₂ O 1 inch H ₂ O: 2.5 mbar	1 mbar: 0.01 m H ₂ O 1 m H ₂ O: 98 mbar
------------------------------	-------------------------------------	---	-------------------------------------	--	--

Order example:
F4000 - 30B80