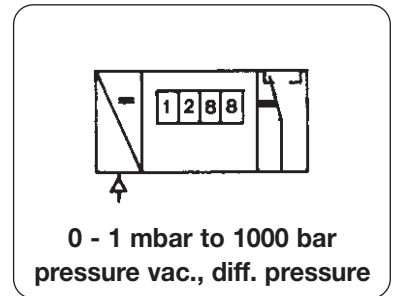


<b>Description</b>	For measurement of pressure, vacuum and differential pressure of air and non-corrosive gases.				
<b>Pressure range</b>	1 mbar - 10 bar, direct measurement with sensor in housing. > 10 bar with external sensor				
<b>Display</b>	3 1/2-digit display with red LED, height of digits 14 mm				
<b>Overpressure</b>	signal on a separate LED on front of box				
<b>Supply</b>	15 - 30V DC; as option 230V AC;				
<b>Response time</b>	100 ms	<b>Protection class</b>	IP54	<b>Hysteresis</b> <0.1% FS	
<b>Temp. sensitivity</b>	at 0 - 50 °C	> 5 mbar range:	1 %	2.5 mbar range:	2% 1 mbar range: 4%
<b>Long-term-stabil.</b>	per year	>25 mbar range:	0.1%	5.0 mbar range:	1% 1 mbar range: 2%
<b>Repeatability</b>	% FS:	>25 mbar range:	0.1%	2.5 mbar range:	0.3% 1 mbar range: 1%
<b>Connection</b>	electrical: 7-pin terminal 1.5 mm <sup>2</sup> pneumatical: Ø6; <1 bar: nipple; >2 bar: sleeve nut				
<b>Housing</b>	of aluminium, with good EMV properties <b>Panel cross-section</b> 45 x 93 mm				



Repeatability	Temperature sensitivity	Linear sensitivity	Over-pressure	Pressure range	Order number
% FS	% FS	% FS	max. bar	mbar / bar	

Pressure gauge	for compressed air, supply 24V DC,	vacuum and differential pressure signal 0-10V,	display 3 1/2-digit	MKA
1.0	4	1.0	0.25	0... 1 mbar <b>MKA-A1</b>
0.3	2	0.8	0.25	0... 2.5 mbar <b>MKA-A2</b>
0.3	1	0.8	0.25	0... 5 mbar <b>MKA-A5</b>
0.2	1	0.8	0.25	0... 10 mbar <b>MKA-B1</b>
0.1	1	0.7	0.35	0... 20 mbar <b>MKA-B2</b>
0.1	1	0.7	0.35	0... 50 mbar <b>MKA-B5</b>
0.1	1	0.5	0.35	0... 100 mbar <b>MKA-C1</b>
0.1	1	0.5	0.75	0... 200 mbar <b>MKA-C2</b>
0.1	1	0.5	1.5	0... 500 mbar <b>MKA-C5</b>
0.1	1	0.5	3	0... 1 bar <b>MKA-O1</b>
0.1	1	0.5	5	0... 2 bar <b>MKA-O2</b>
0.1	1	0.5	10	0... 8 bar <b>MKA-O8</b>
0.1	1	0.8	12	0... 10 bar <b>MKA-O10</b>
0.1	2.3 mbar	1 mbar	3	0.7...1.1 bar <sub>abs</sub> <b>MKA-S1</b>



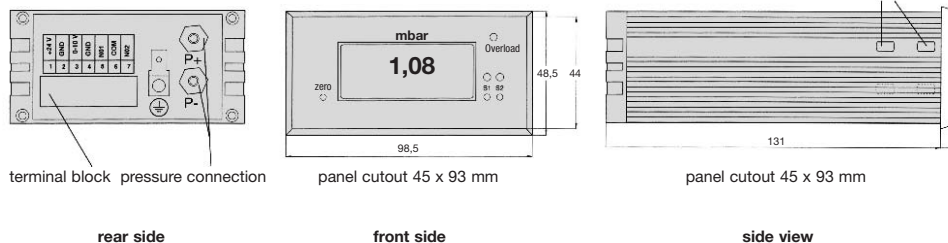
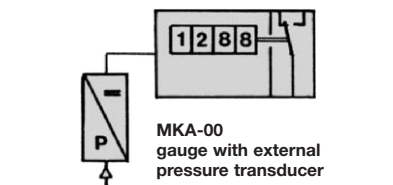
MKA with integrated sensor



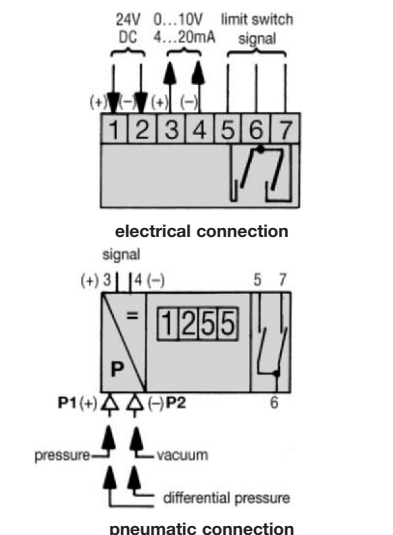
MKA-00 with external sensor

Digital gauge	for external sensor 0-10V/ 24V DC, zero adjustment, overpressure display, 48x96 mm	supply 24V DC	MKA
e.g for pressure transducer*1 D4V, D6V, D7V, D8V, D9V, DAV 0-1 mbar / 1000 bar			<b>MKA-00</b>

Special options	add the appropriate letter		
<b>2 limit switches</b>	with LED report, 230V AC, 1A, hysteresis 2%	<b>S</b>	MKA- . . S
<b>230 V AC</b>	±10% supply voltage	<b>V</b>	MKA- . . V
<b>RS232*2</b>	interface, 8 bit without parity	<b>R</b>	MKA- . . R
<b>radic. outlet*3</b>	for measuring flow speed only	<b>K</b>	MKA- . . K
<b>4 - 20 mA outlet</b>		<b>A</b>	MKA- . . A
<b>4 - 20 mA inlet</b>		<b>A</b>	MKA- . . A
<b>linearity 0.2%</b>	zero fine adjustment on front, >100 mbar	<b>B</b>	MKA- . . B



\*1 consult chapter „Pressure Transducer“  
 \*2 handshake on/off; baud rate 9600  
 \*3 restrictor and pitostatic tube required



<b>For your information:</b>	1 bar: 14.5 psi	1 l/min: 0.035 scfm	1 mm: 0.039 inch	1 mbar: 0.4 inch H <sub>2</sub> O	1 mbar: 0.01 m H <sub>2</sub> O
	1 psi: 0.069 bar	1 scfm: 28.3 l/min	1 inch: 25.4 mm	1 inch H <sub>2</sub> O: 2.5 mbar	1 m H <sub>2</sub> O: 98 mbar

**Order example:**  
**MKA-A1**