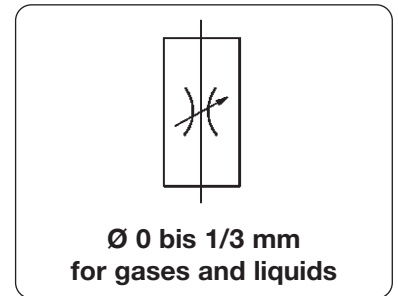


Precision Micro-Needle Valve

~ VR

Description	The modular, compact micro-needle valve is for fine-flow adjustment of gases and liquids. It consists of an inner valve and body with straight or angle connector. The valve is free from oil and grease.		
Adjusting	The micro-valve has a 15-turn spindle with no hysteresis. The valve needle is non-rotating and thus provides a stable adjusting.		
Pressure range	Vacuum up to 20 bar	Gas quality	5 µm filtration recommended
Flow	0 – 0.6 / 150 l/min for air,	max. 0 – 5 l/min for water	
Panel mounting	two holes M4, 4 mm depth		
Temperature range	-20 °C to 150 °C / -4 °F to 300 °F with Viton, -30 °C to 90 °C / -22 °F to 190 °F with NBR		max. 90 °C / 190 °F with EPDM
Materials	Body: aluminium, Inner valve: brass,	as option 316 SST as option 316 SST	Elastomer: Viton, NBR, EPDM Knob: aluminium



Dimensions			Needle size	Flow rate	max.*	K _v -value	Order number
H	B	T	NS	air	water		
mm	mm	mm	mm	l/min	l/min	max. (m ³ /h)	

Micro-needle valve			straight valve, righthand closing aluminium, brass, Viton; with knob, max. 20 bar, G ^{1/4} .				VR
64	54	25	1.0	0 ... 0.6	0 ... 0.02	0 ... 0.0007	VR6 - 02A
			1.5	0 ... 5.0	0 ... 0.15	0 ... 0.005	VR6 - 02B
			2.0	0 ... 14	0 ... 0.48	0 ... 0.01	VR6 - 02C
			2.5	0 ... 33	0 ... 1.16	0 ... 0.04	VR6 - 02D
			3.0	0 ... 150	0 ... 5.00	0 ... 0.10	VR6 - 02E

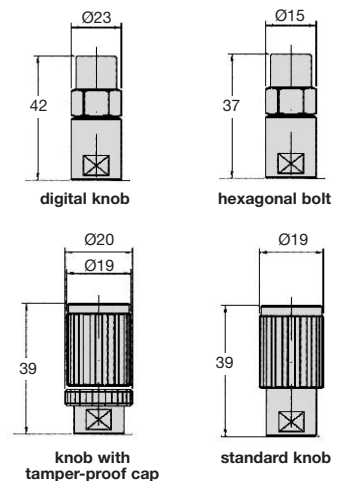
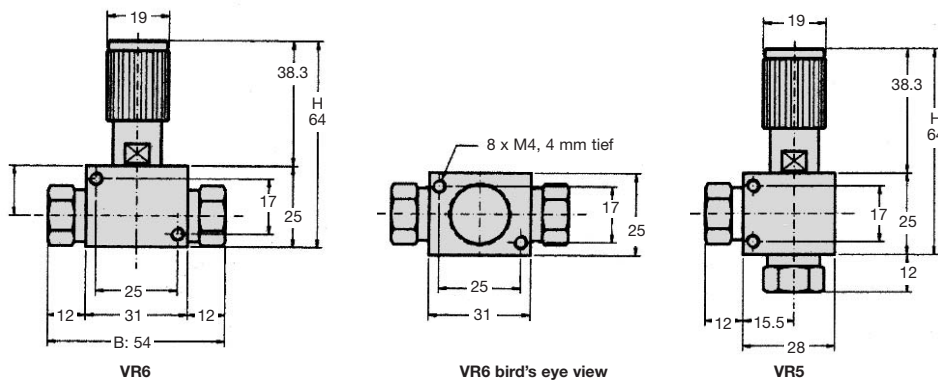
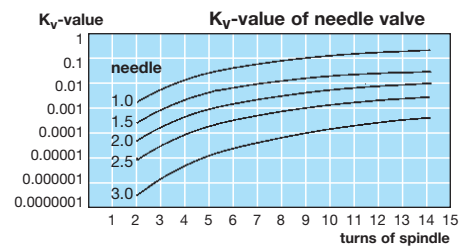


straight valve VR6

Special options		add the appropriate letter	
angle valve	corner version	5	VR5 - 0 . .
lefthand closing		L	VR. - 0 . . L
stainless steel	316, with Viton	S	VR. - 0 . . S
EPDM		E	VR. - 0 . . E
NBR		B	VR. - 0 . . B
tamper-proof	on valves with knob	T	VR. - 0 . . T
digital knob	lefthand closing, 100 increments	R	VR. - 0 . . R
hexagonal bolt	with lock nut	I	VR. - 0 . . I



corner valve VR5



* 1 bar at supply and 0 bar outlet pressure / atmosphere, fully opened

Order example:
VR6 - 02D