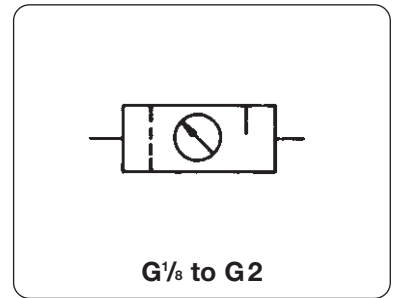


<b>Description</b>	Series of modular FRL units of metal in two-part or three-part design. Boreholes in the body for wall-mounting.		
<b>Filter element</b>	20 µm in G <sup>1</sup> / <sub>8</sub> and G <sup>1</sup> / <sub>4</sub> , 50 µm in G <sup>3</sup> / <sub>8</sub> to G2 as standard		
<b>Pressure range</b>	0.8 - 8 bar as standard, 0.1 - 1.5 bar, 0.3 - 3 bar, 0.5 - 5 bar, 1.5 - 15 bar as option		
<b>Bowl</b>	of polyurethane up to G <sup>1</sup> / <sub>4</sub> , max. 12 bar of zinc die-casting with or without sight glass,	<b>Gauge port</b>	G <sup>1</sup> / <sub>2</sub> except on G <sup>1</sup> / <sub>8</sub> max. 16 bar or 20/30 bar
<b>Drain</b>	semi-automatic: up to 30 bar autodrain: up to 16 bar		manual: up to 30 bar
<b>Operat. pressure</b>	max. 12 bar in plastic bowl max. 20 bar in metal bowl on G <sup>1</sup> / <sub>8</sub> and G <sup>1</sup> / <sub>4</sub>		max. 16 bar in metal bowl with sight glass max. 30 bar in metal bowl on G <sup>3</sup> / <sub>8</sub> to G2
<b>Temperature range</b>	-10 °C to 50 °C / -14 °F to 130 °F in plastic bowl -20 °C to 60 °C / -4 °F to 140 °F in metal bowl		
<b>Materials</b>	Body: zinc die-casting up to G <sup>3</sup> / <sub>8</sub> , aluminium as from G <sup>1</sup> / <sub>2</sub> Bowl: zinc die-casting or polyurethane		



Dimensions			Combination of	Bowl design *	Flow rate		Pressure P <sub>1</sub> bar	Connection thread G	Order number
B mm	H mm	C mm			m <sup>3</sup> /h	l/min**			

FRL unit 2-part			0,8 - 8 bar, with gauge, semi-automatic drain		relieving		<b>CD2</b>		
80	198	125	BD + LD + Mano, 20 µm	L	27	450	12	G <sup>1</sup> / <sub>8</sub>	<b>CD2-01L</b>
				M	27	450	16	G <sup>1</sup> / <sub>8</sub>	<b>CD2-01</b>
80	198	125	BD + LD + Mano, 50 µm	L	30	500	12	G <sup>1</sup> / <sub>4</sub>	<b>CD2-02L</b>
				M	30	500	16	G <sup>1</sup> / <sub>4</sub>	<b>CD2-02</b>
128	250	146	BD + LD + Mano, 50 µm	M	108	1800	16	G <sup>3</sup> / <sub>8</sub>	<b>CD2-03</b>
				M	108	1800	16	G <sup>1</sup> / <sub>2</sub>	<b>CD2-04</b>
180	282	172		M	300	5000	16	G <sup>3</sup> / <sub>4</sub>	<b>CD2-06</b>
				M	330	5500	16	G1	<b>CD2-08</b>
240	282	172		M	360	6000	16	G1 <sup>1</sup> / <sub>4</sub>	<b>CD2-10</b>
				M	390	6500	16	G1 <sup>1</sup> / <sub>2</sub>	<b>CD2-1A</b>
420	540	450		M	960	16000	16	G1 <sup>1</sup> / <sub>2</sub>	<b>CD2-12</b>
				M	1020	17000	16	G2	<b>CD2-16</b>

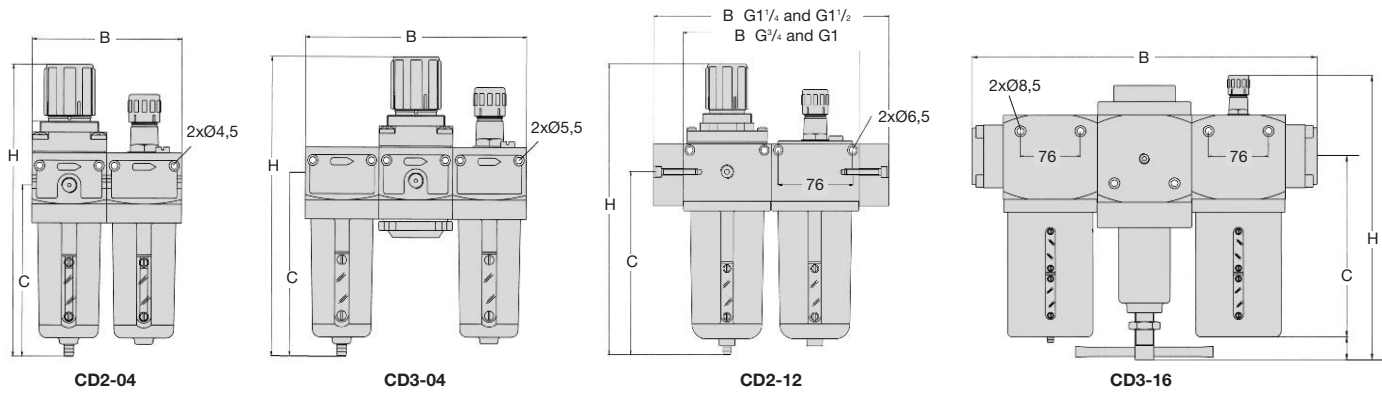


FRL unit 3-part			0,8 - 8 bar, with gauge, semi-automatic drain		relieving		<b>CD3</b>		
120	199	125	FD + RD + LD Mano, 50 µm	L	21	350	12	G <sup>1</sup> / <sub>8</sub>	<b>CD3-01L</b>
				M	21	350	16	G <sup>1</sup> / <sub>8</sub>	<b>CD3-01</b>
120	199	125		L	24	400	12	G <sup>1</sup> / <sub>4</sub>	<b>CD3-02L</b>
				M	24	400	16	G <sup>1</sup> / <sub>4</sub>	<b>CD3-02</b>
192	250	146		M	132	2200	16	G <sup>3</sup> / <sub>8</sub>	<b>CD3-03</b>
				M	144	2400	16	G <sup>1</sup> / <sub>2</sub>	<b>CD3-04</b>
270	260	172		M	420	7000	16	G <sup>3</sup> / <sub>4</sub>	<b>CD3-06</b>
				M	480	800	16	G1	<b>CD3-08</b>
330	260	172		M	540	9000	16	G1 <sup>1</sup> / <sub>4</sub>	<b>CD3-10</b>
				M	600	10000	16	G1 <sup>1</sup> / <sub>2</sub>	<b>CD3-1A</b>
640	362	260		M	1620	27000	16	G1 <sup>1</sup> / <sub>2</sub>	<b>CD3-12</b>
				M	1680	28000	16	G2	<b>CD3-16</b>



### Special options add the appropriate letter

**further options**      see instruments BD, FD, LD, RD



\*1 K: plastic bowl  
L: plastic bowl, long  
M: metal bowl with sight glass  
N: metal bowl without sight glass

\*\* 7 bar supply pressure and Δp = 0,33 bar

**For variations and further information: see chapter on Filters, Regulators, Lubricators**      **Order example: CD2-04**