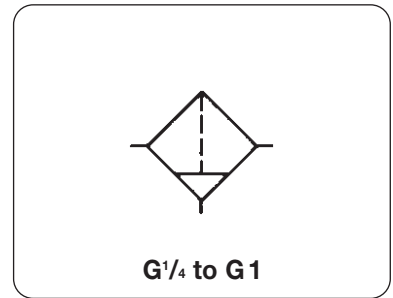


Description	Modular block design with exchangeable insert kits. Can be connected to regulators or lubricators without the need for double nipples. All "maxi" instruments are easy to take out of fixed piping by simply removing the fastening bolts on the insert kits.
Filter element	40 µm, of propylene as standard; 5 µm and 20 µm as option
Bowl	Metal bowl with sight glass of 30 cl capacity
Drain	Manual drain as standard; autodrain as option, maximum pressure 12 bar
Switch-on valve	3/2-way valve with unthreaded exhaust connection, lockable
Supply pressure	max. 17 bar
Temperature range	-30 °C to 70 °C / -20 °F to 160 °F
Materials	Housing and bowl: zinc die-casting Sight glass: polyurethane

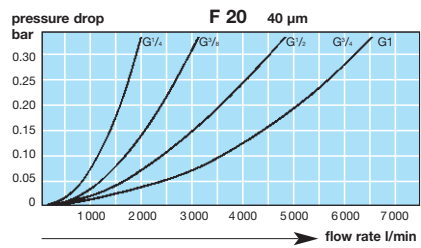
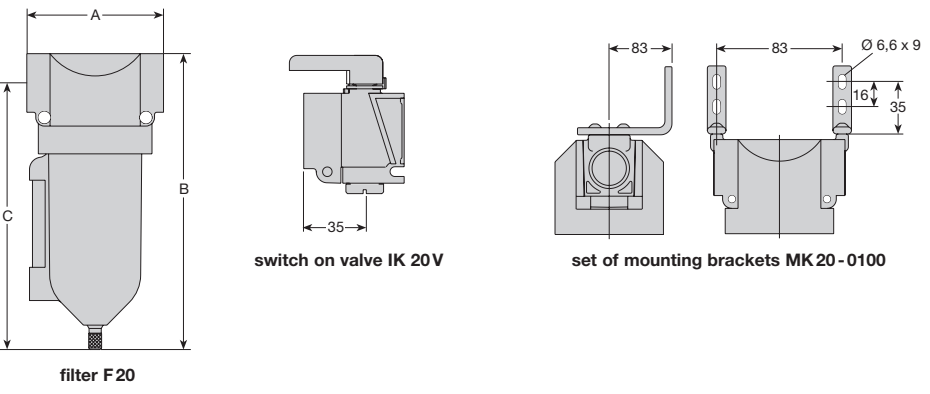


Dimensions			Flow rate	Filter-pore width	Connection thread	Order number
A	B	C				
mm	mm	mm	m ³ /h*	l/min*	G	

"Maxi" compressed air filter with manual drain 30 cl metal bowl with sight glass							F20
89	191	171	90	1 500	5 µm	G ¹ / ₄	F20-02WG
			120	2 000	40 µm		F20-02WJ
89	191	171	138	2 300	5 µm	G ³ / ₈	F20-03WG
			186	3 100	40 µm		F20-03WJ
89	191	171	216	3 600	5 µm	G ¹ / ₂	F20-04WG
			288	4 800	40 µm		F20-04WJ
111	191	171	294	4 900	5 µm	G ³ / ₄	F20-06WG
			390	6 500	40 µm		F20-06WJ
111	191	171	300	5 000	5 µm	G1	F20-08WG
			402	6 700	40 µm		F20-08WJ



Special options	add the appropriate letter	Accessories
autodrain	SA 605 MD	R F20-0.W.R
drain	RK 500 SY	M F20-0.W.M
NPT thread		N F20-0.W.N
set of mounting brackets	MK 20-0100	Y F20-0.W.Y
insert kit	with bolts and O-rings, G ¹ / ₄ IK20Y , with bolts and O-rings, G ¹ / ₂ IK20A , with bolts and O-rings	G ³ / ₈ IK20X G ³ / ₄ IK20B G1 IK20C
connection kit	for connecting 2 devices	IK20CC
porting block	G ¹ / ₄ , for unlubricated compressed air	IK20CP
switch-on valve	lockable 3/2-way valve	IK20V



* at 7 bar supply pressure and 0.3 bar pressure drop

For spare parts: see chapter "Spare Parts"

Order example: **F20-04WJ**