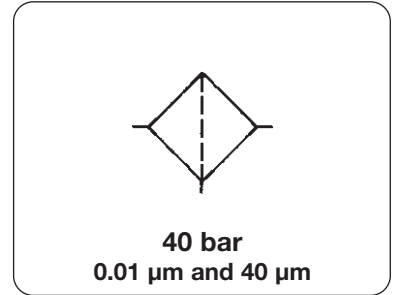


Description	Compressed air filter for up to 40 bar operating pressure with various filter pore widths. Installation in horizontal position, flow direction indicated by arrow.
Filter	5 and 40 µm filter pore width of sintered bronze
Coalescing filter	0.01 µm with 99.999% efficiency. Of borsilicate fibres with jacket of V2A and foam protection. A prefilter is recommended for prolonged service life.
Bowl	Up to 40 bar permitted. The bowl may only be removed when the equipment is depressurized. Test pressure 60 bar.
Drain	only manual condensate drainage is possible, automatic condensate drainage not authorized
Temperature range	0 °C to 90 °C / 32 °F to 200 °F operating temperature -50 °C to 100 °C / 60 °F to 210 °F storage temperature
Materials	Bowls up to G1: brass Bowls as from G1½: aluminium



Dimensions			Bowl volume	Flow rate	Filter pore width	Connection thread	Order number
A	B	C					
mm	mm	mm	cl	m³/h*1	l/min*1	µm	G

High pressure filter up to 40 bar							with manual drain	F445
62	200	170	6	160	2700	40 µm	G ³ / ₈ *2	F445-03EL
				170	2800	40 µm	G ¹ / ₂	F445-04EL
80	210	165	10	200	3300	40 µm	G ³ / ₄ *2	F445-06EL
				210	3500	40 µm	G1	F445-08EL
160	285	243	30	1200	20000	40 µm	G1½*2	F445-12EL
				1300	22000	40 µm	G2	F445-16EL
62	200	170	6	130	2200	5 µm	G ³ / ₈ *2	F445-03GL
				140	2300	5 µm	G ¹ / ₂	F445-04GL
80	210	165	10	160	2700	5 µm	G ³ / ₄ *2	F445-06GL
				170	2800	5 µm	G1	F445-08GL
160	285	243	30	900	15000	5 µm	G1½*2	F445-12GL
				1000	18000	5 µm	G2	F445-16GL
62	200	170	6	90	1500	0.01 µm	G ³ / ₈ *2	F445-03IL
				100	1600	0.01 µm	G ¹ / ₂	F445-04IL
80	210	165	10	145	2300	0.01 µm	G ³ / ₄ *2	F445-06IL
				150	2500	0.01 µm	G1	F445-08IL



F 445 - 08 EL

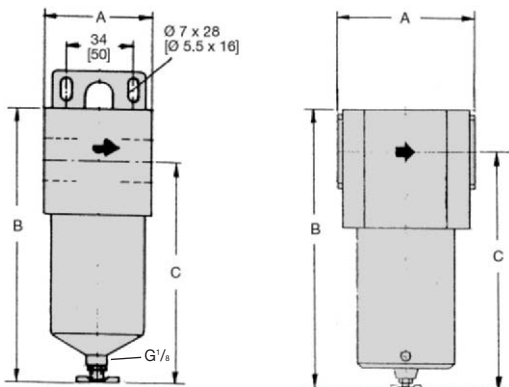
Accessories and spare parts

mounting bracket		for G ³ / ₈ and G ¹ / ₂	SA445/39
		for G ³ / ₄ and G1	SA445/28
filter element	0.01 µm (I)	5 µm (G)	40 µm (E)
for G ³ / ₈ and G ¹ / ₂	EK448/8	EK394/37	EK394/16
for G ³ / ₄ and G1	EK403/3	EK298/9	EK267/37
for G1½ and G2	-	EK454/11	EK454/3

Filter



11



G³/₈ to G1

G1½ and G2

[] for G1

*1 at 7 bar supply pressure and 1 bar pressure drop *2 sized down from next largest filter

For your information:	1 bar: 14.5 psi	1 l/min: 0.035 scfm	1 mm: 0.039 inch
	1 psi: 0.069 bar	1 scfm: 28.3 l/min	1 inch: 25.4 mm



Order example:
F445-04EL