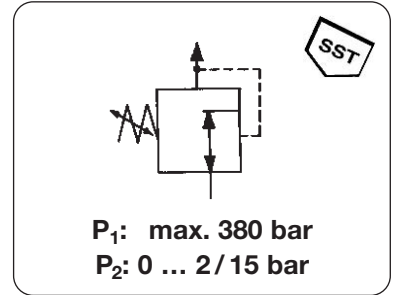


Stainless Steel High Pressure Regulator for 380 bar

RHB-S

Description	High pressure regulator with supply pressure up to 380 bar and outlet pressure up to 15 bar. The regulator corresponds to NACE regulation MRO 175. The seat is mounted in a block that can be rotated up to 4 times for easier handling.		
Media	Compressed air, gases or liquids, depending on the used material		
Relieving	Non-relieving as standard		
Pressure	Supply pressure max. 380 bar. NB. according to CE standard max. 200 bar for gas no. 1		
Temperature range	- 40 °C to 106 °C / - 40 °F to 225 °F		
Materials	Body, bonnet, bottom plug: Diaphragm: Monel 400 Elastomer: TFE Nitrile (NBR)	316 stainless steel Range spring: spring steel Valve spring: MP35N (UNS30035)	Seat: nylon or PTFE

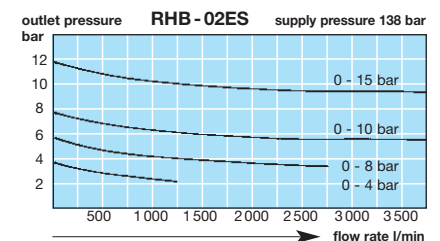
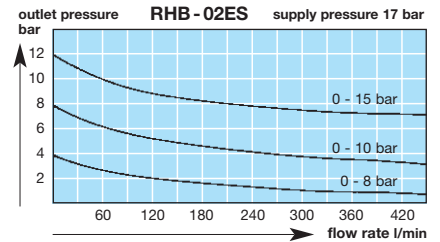
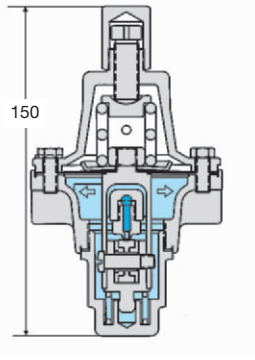
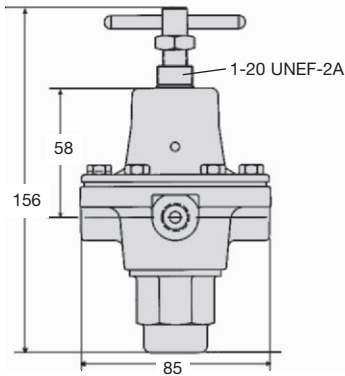
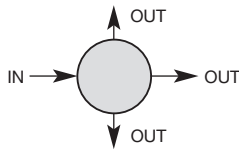


Dimensions	K _v -value	Flow rate	Connection	Pressure range	Order number
height	Ø		thread	bar	
mm	mm	(m ³ /h)	NPT		

Pressure regulator 380 bar*2	1/4" NPT, stainless steel, T-handle non-relieving,	RHB-S				
156	85	0.13	4 000	1/4" NPT	0 ... 2 bar	RHB - 02AS
					0 ... 4 bar	RHB - 02BS
					0 ... 8 bar	RHB - 02CS
					0 ... 10 bar	RHB - 02DS
					0 ... 15 bar	RHB - 02ES

Special options add the appropriate letter or number

tamper-proof	hexagonal spindle with cap	T	RHB - 02 . ST
PTFE seat		1	RHB - 02 . S1



*1 at P₁: 138 bar and P₂: 10 bar *2 NB, according to CE standard max. 200 bar for gas no. 1

For your information:	1 bar: 14.5 psi 1 psi: 0.069 bar	1 l/min: 0.035 scfm 1 scfm: 28.3 l/min	1 mm: 0.039 inch 1 inch: 25.4 mm	Pressure gauge: see end of chapter
------------------------------	-------------------------------------	---	-------------------------------------	---------------------------------------

Order example:
RHB - 02DS